

**Applications:**

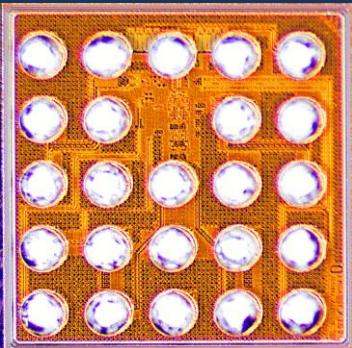
- TDR
- DSO frontend
- Cable
- Backplane
- VNA

**Technical Support:**

For more information on any of our products please contact us at:

info@fmaxtech.com

FMAX Technologies Inc.  
250 Prairie Center Drive  
Suite 333  
Eden Prairie, MN 55344



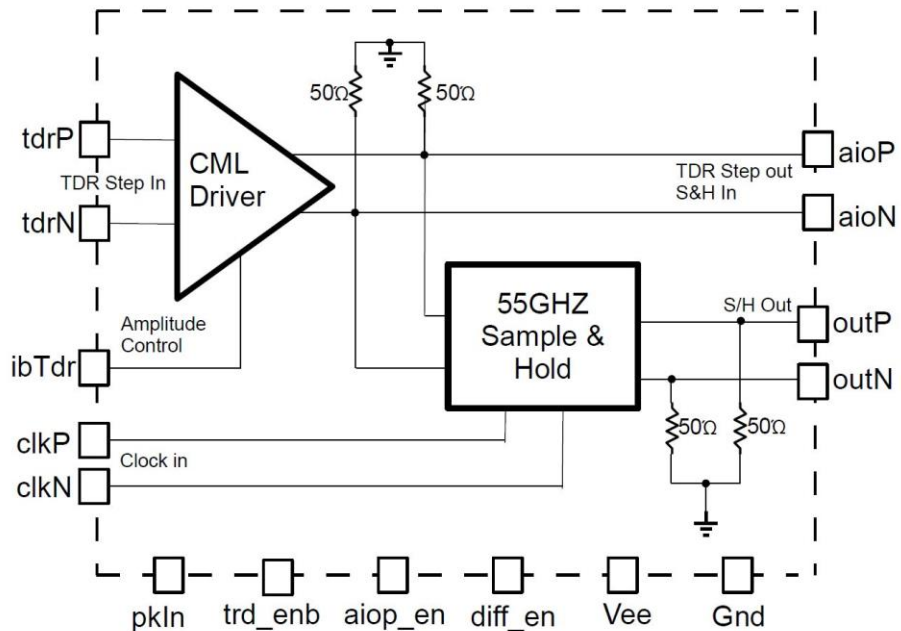
**Description**

The FX762C is a Time Domain Reflectometer in a WLCSP

- 0.5kV HBM ESD input/output protection
- -5V supply
- 1.3 - Watt Power dissipation
- 1.62 mm x 1.62 mm Die Size
- Wafer-Level Chip Scale Package (WLCSP)
- 300um Bump Pitch, 170um Ball size

**FX762C Features**

- 55GHz input bandwidth
- 0dB (Unity Gain) at Low Frequency
- 1.2V Peak-Peak Linear I/O Voltage Swing
- 1mV rms Input Referred Noise
- 50 Ohm terminations on chip



FX762C Block Diagram